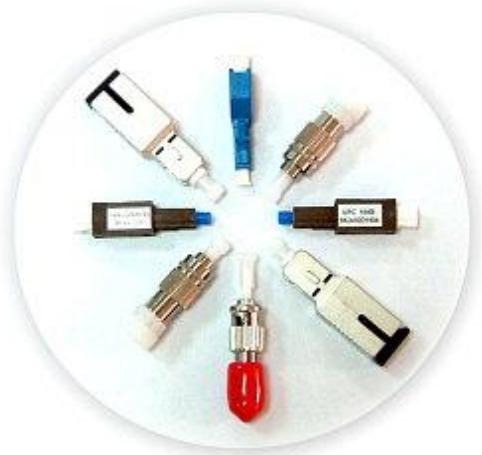




Male to Female, Plug Type Fixed Attenuator

Part Number: FATN-xxx-xxM-xx



Applications

- Telecommunication system
- Testing instruments
- Fiber optical sensors
- LAN / WAN
- CATV
- FTTx

Features

- Standard & Customized configuration
- Precision end face geometry testing
- UPC / APC physical contact polishing
- Precise and Stable Attenuation values
- Ultra Low Return Loss
- Compliant with GR-910-CORE / JIS C5920
- RoHS Compliant


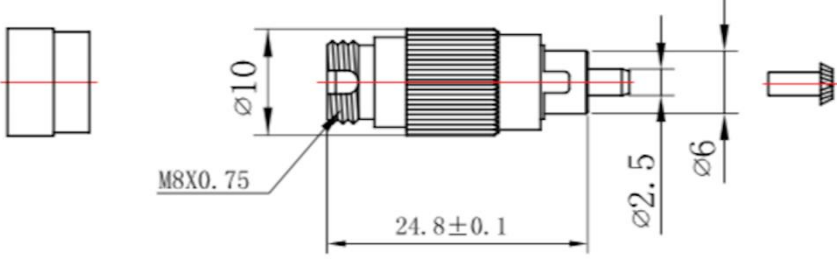

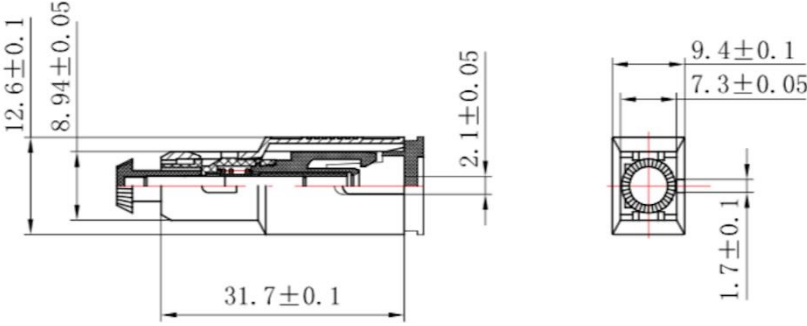

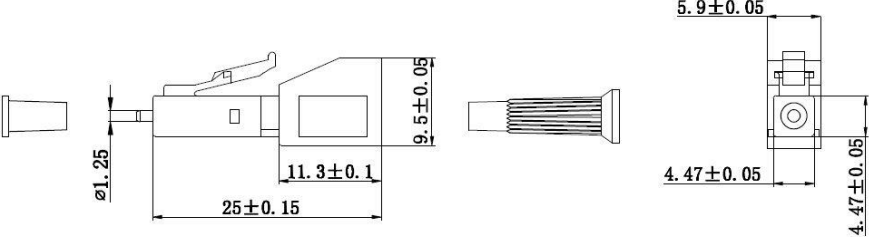


Specifications

Attenuation Values	1~20dB, 25dB, 30dB		
Polish Type	SM PC	SM APC	MM PC
Return Loss	<-50dB	<-60dB	N/A
Attenuation Accuracy	1~5dB : ± 0.5 dB 6~30dB : ± 10 %		
Wavelength	1310, 1550 ± 40 nm	850, 1300 ± 40 nm	
Optical Input Power	≤ 200 mw		
Operating Temperature	-40 ~ +80°C		
Storage Temperature	-55 ~ +85°C		



Mechanical Dimensions



Ordering Information

FATN-□□□-□□M-□□

Fiber Type

- S: SM 9/125
- 1: MM 62.5/125 OM1
- 2: MM 50/125 OM2
- 3: MM 50/125 OM3
- 4: MM 50/125 OM4

Wavelength

- 13: 1310nm
- 15: 1550nm
- 35: 1310/1550nm
- 85: 850nm
- 30: 1300nm

Connector / Polish Type



- F: FC type
- S: SC type
- T: ST type
- L: LC type
- U: MU
- E: E2000
- P: PC type
- A: APC type

Attenuation Value

- 05: 5dB
- 10: 10dB
- 15: 15dB
- 20: 20dB
- 25: 25dB
- 30: 30dB
- XX: XXdB